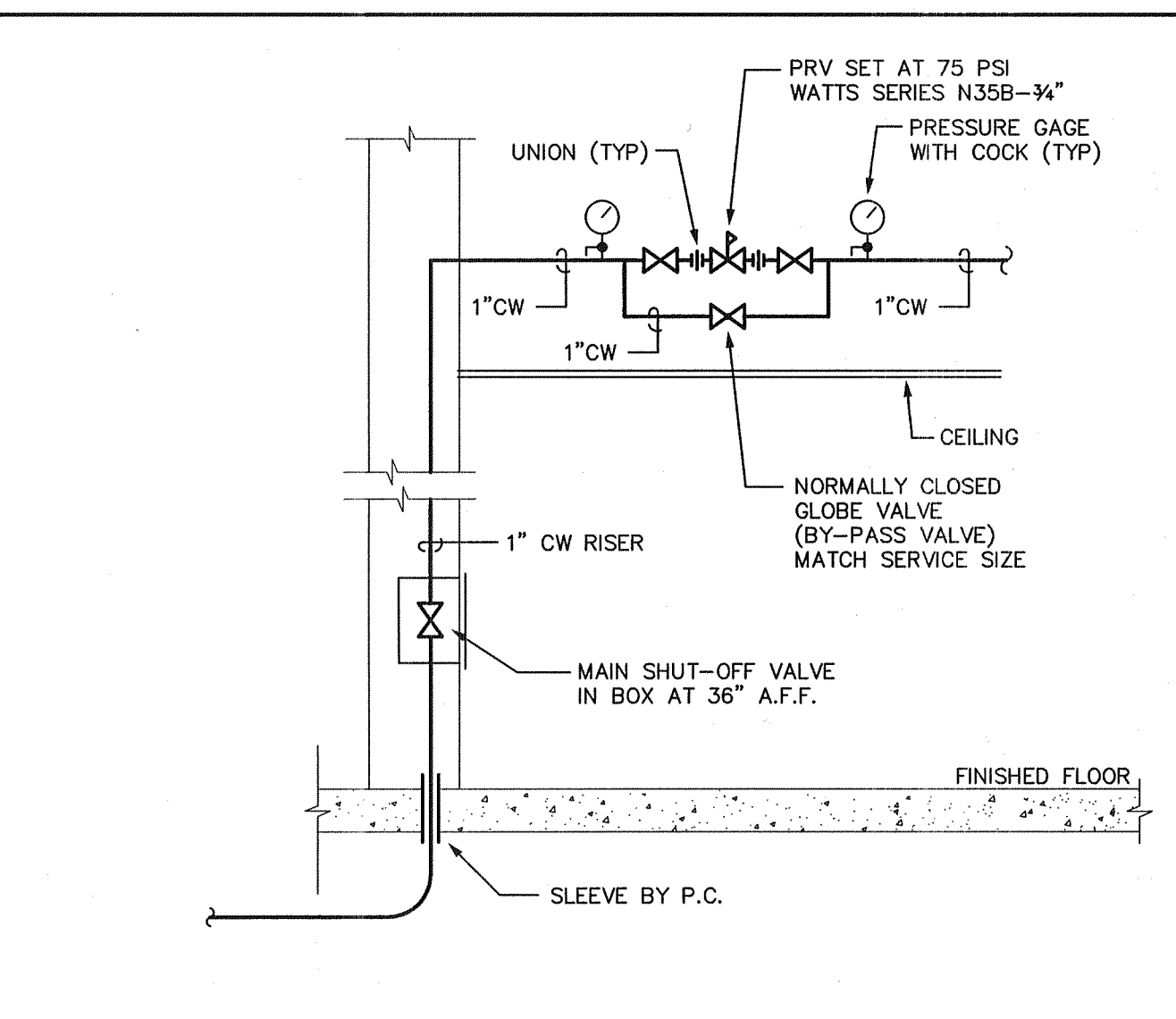


1 ELECTRIC WATER HEATER SCHEMATIC (WH1)
NO SCALE



2 WATER SERVICE PRV PIPING SCHEMATIC
NO SCALE

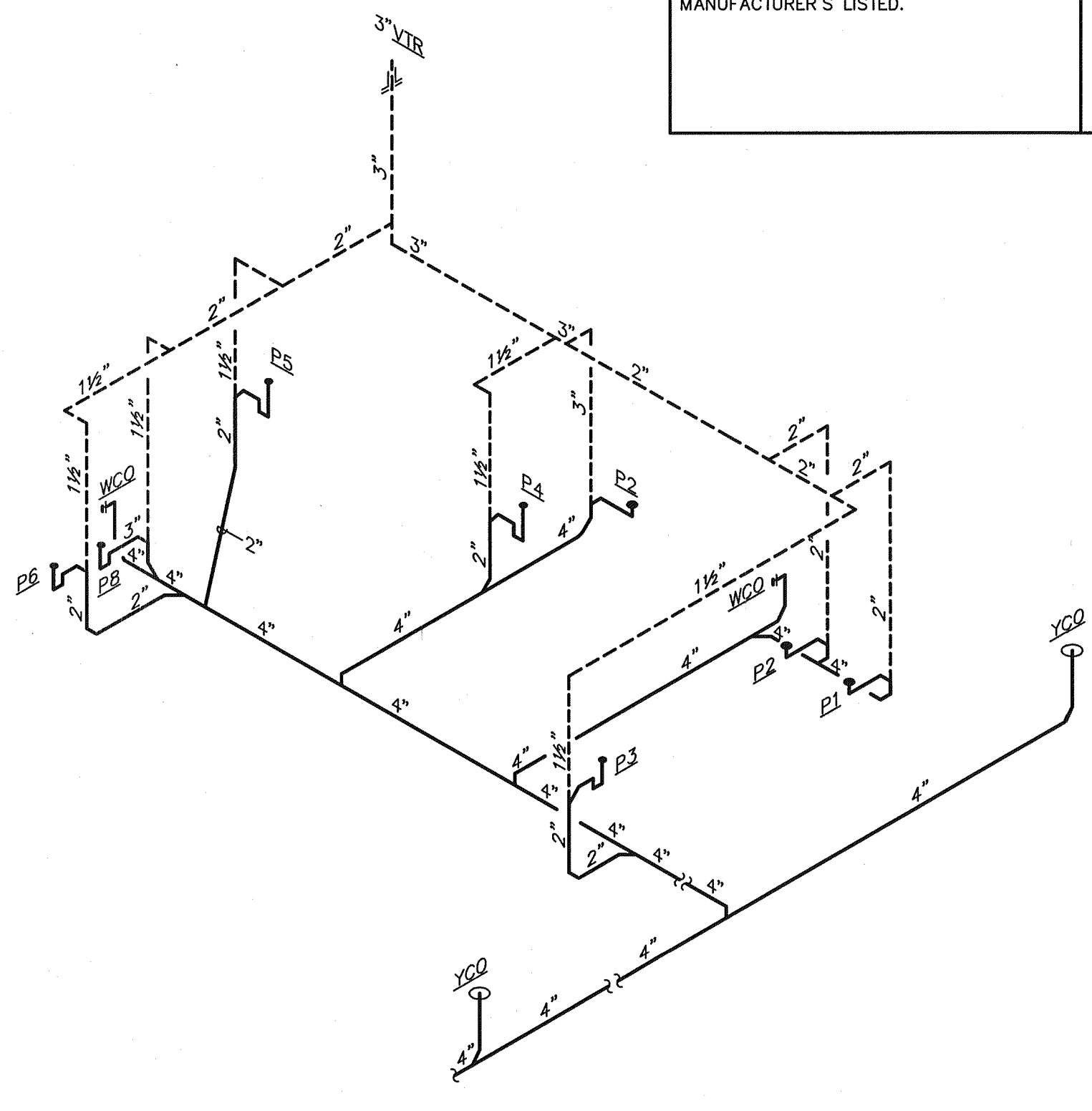
PLUMBING LEGEND

PIPING	ABBREVIATIONS	DESCRIPTION
---	W	SANITARY WASTE PIPING - BELOW FLOOR/GRADE
---	V	SANITARY VENT PIPING - ABOVE CEILING
---	RL	STORM DRAIN (PRIMARY) - ABOVE CEILING
---	RW	STORM DRAIN (PRIMARY) - BELOW FLOOR/GRADE
---	ORL	OVERFLOW (SECONDARY) STORM DRAIN - ABOVE CEILING
---	CW	COLD WATER PIPING - ABOVE CEILING
---	HW	HOT WATER PIPING - ABOVE CEILING
---	DN	ELBOW DOWN
---	---	ELBOW UP
---	---	PIPE CONTINUES
---	---	BALL VALVE (FULL PORT)
---	CV	CHECK VALVE
---	PRV	PRESSURE REDUCING VALVE
---	YCO	YARD CLEAN OUT
---	WCO	WALL CLEAN OUT
---	CO	PLUG CLEAN OUT
---	HB	HOSE BIBB
---	RD	ROOF DRAIN
---	AFF	ABOVE FINISHED FLOOR
---	AFG	ABOVE FINISHED GRADE
---	P.C.	PLUMBING CONTRACTOR

PLUMBING FIXTURE AND EQUIPMENT SCHEDULE

SYM.	DESCRIPTION	CONNECTIONS (IN.)				SPECIFICATION	REMARKS
		W	V	CW	HW		
P1	WATER CLOSET, STANDARD FLUSH TANK, 1.6 GAL/FLUSH FLOOR MOUNTED GRAVITY FLUSH	4"	2"	1/2"	---	FIXTURE: A.S. 2018.214 "CHAMPION 4" SEAT: CHURCH 9500C STOP: MCGUIRE 185	
P2	WATER CLOSET, A.D.A. FLUSH TANK, 1.6 GAL/FLUSH FLOOR MOUNTED GRAVITY FLUSH	4"	2"	1/2"	---	FIXTURE: A.S. 2002.014 "CHAMPION 4" SEAT: CHURCH 9500C STOP: MCGUIRE 185	PROVIDE LEVER ON WIDE SIDE OF STALL
P3	LAVATORY, A.D.A. 20" x 17" OVAL COUNTERTOP, SELF-RIMMING	1 1/2"	1 1/2"	1/2"	1/2"	FIXTURE: A.S. 0476.028 "AQUALYN" DRAIN: MCGUIRE 155A FAUCET: DELTA 501-WFHGMHDF P-TRAP: MCGUIRE 8902 1 1/4" x 1 1/2" STOPS: MCGUIRE 175	PROVIDE INSULATION KIT FOR EXPOSED TRIM: TRUEBRO "LAV-GUARD" OR APPROVED EQUAL.
P4	LAVATORY, A.D.A. 20" x 18" WALL HUNG	1 1/2"	1 1/2"	1/2"	1/2"	FIXTURE: A.S. 0355.012 "LUCERNE" DRAIN: MCGUIRE 155A FAUCET: DELTA 501-WFHGMHDF P-TRAP: MCGUIRE 8902 1 1/4" x 1 1/2" STOPS: MCGUIRE 175	PROVIDE INSULATION KIT FOR EXPOSED TRIM: TRUEBRO "LAV-GUARD" OR APPROVED EQUAL.
P5	STAINLESS STEEL SINK, A.D.A. BREAK ROOM SINK 19" x 19" (16" x 13 1/2" BOWL) 3 HOLE DRILLING SELF RIMMING	1 1/2"	1 1/2"	1/2"	1/2"	FIXTURE: ELKAY LR4D-1919-60-3 DRAIN: FLORESTONE MR-371 FAUCET: DELTA 172-WF P-TRAP: MCGUIRE 8912 1 1/2" x 1 1/2" STOPS: MCGUIRE 175	PROVIDE INSULATION KIT FOR EXPOSED TRIM: TRUEBRO "LAV-GUARD" OR APPROVED EQUAL.
P6	ELECTRIC WATER COOLER, A.D.A. SURFACE MOUNTED, SPLIT LEVEL STEEL CABINET, ENAMEL FINISH	1 1/2"	1 1/2"	1/2"	---	FIXTURE: HAWS HWJAC08L P-TRAP: MCGUIRE 8902 1 1/4" x 1 1/2" STOP: MCGUIRE 175	
P7	MOP SINK MOLDED STONE 24" x 24" x 10" BUMPER GUARDS	3"	1 1/2"	1 1/2"	1 1/2"	BASEIN: FLORESTONE MSR-2424 DRAIN: FLORESTONE MR-371 FAUCET: FLORESTONE MR-375 ACCESSORIES: MR-372 HOSE & BRACKET ACCESSORIES: MR-375 BUMPERGUARDS	
P8	UTILITY CONNECTION BOX (REFRIGERATOR ICEMAKER)	---	---	1/2"	---	FIXTURE: GUY GRAY BIM875 FINISH: EPOXY	
WH1	WATER HEATER ELECTRIC 20 GALLON TANK	---	---	3/4"	3/4"	EQUIPMENT: A.O. SMITH DEL-20 ELECTRICAL: 2.5KW, 120V, 1Ø RECOVERY: 11.5 GPH @ 60° RISE.	
ET1	THERMAL EXPANSION TANK 2 GALLON CAPACITY	---	---	---	3/4"	EQUIPMENT: AMTROL ST-5	
YCO	YARD CLEANOUT, ADJUSTABLE CAST IRON BODY NO-HUB CONNECTION SCORRIATED TOP	4"	---	---	---	CLEANOUT: SMITH 4250 18"L x 18"W x 6"D CONCRETE PAD.	GAS / WATER TIGHT ABS PLUG
WCO	WALL CLEANOUT, CAST IRON BODY STAINLESS STEEL WALL PLATE	3"	---	---	---	CLEANOUT: SMITH 4402C	
CO	PLUG CLEANOUT (END OF LINE) CAST IRON BODY	---	---	---	---	CLEANOUT: SMITH 4470T	
RD1	ROOF DRAIN CAST IRON BODY, SUMP RECEIVER CAST IRON DOME	---	---	---	---	DRAIN: SMITH 1010	SEE ROOF PLAN FOR DRAIN SIZES
RD2	ROOF DRAIN OVERFLOW CAST IRON BODY, SUMP RECEIVER CAST IRON DOME	---	---	---	---	DRAIN: SMITH 1070 WITH P.V.C. STANDPIPE	SEE ROOF PLAN FOR DRAIN SIZES
DN1	DOWNSPOUT NOZZLE	8"	---	---	---	ROOF ACCESSORIES: SMITH 1770-BS	PROVIDE A BIRD SCREEN
HB1	HOSE BIBB FREEZE PROOF	---	---	3/4"	---	FIXTURE: WOODFORD 65B FINISH: POLISHED CHROME	

APPROVED EQUALS:	SPECIFIED PRODUCT:	ACCEPTED EQUAL:
THE CONTRACTOR IS RESPONSIBLE FOR PROVIDING THE MODEL WHICH MOST CLOSELY MATCHES THE SPECIFIED PRODUCT. PROVIDE PRODUCTS MADE BY THE MANUFACTURER'S LISTED.	TOTO (WATER CLOSETS) AMERICAN STANDARD (A.S.) CHURCH (TOILET SEATS) DELTA, CAMBRIDGE (FAUCETS) ELKAY (S.S. SINKS) MCGUIRE (SUPPLY STOPS) A.O. SMITH (WATER HEATER) J.R. SMITH (DRAINS, CLEANOUTS, CARRIERS) HAWS (WATER COOLER)	KOHLER, "CIMARRON", A.S. "CHAMPION" KOHLER, ELIJER CENTOCO, BENEKE, BEMIS MOEN, SPEAKMAN, CHICAGO JUST BRASSCRAFT, E.B.C. LOCHINVAR, RHEEM, STATE ZURN, JOSAM, WADE OASIS, SUNROC, HALSEY TAYLOR



(R1) WASTE AND VENT RISER SCHEMATIC
N.T.S.

PLUMBING SPECIFICATIONS

GENERAL REQUIREMENTS:

- GENERAL AND SPECIAL CONDITIONS: GENERAL AND SPECIAL CONDITIONS ARE HEREBY MADE AN INTEGRAL PART OF THIS DIVISION OF THE SPECIFICATIONS INsofar AS SAME ARE APPLICABLE TO THE WORK UNDER THIS DIVISION AND UNLESS OTHERWISE SPECIFIED.
- SCOPE: PROVIDE ALL LABOR, MATERIAL AND EQUIPMENT REQUIRED FOR THE COMPLETION AND OPERATION OF ALL SYSTEMS IN THIS SECTION OF WORK IN ACCORDANCE WITH ALL APPLICABLE CODES.
- PERMITS: APPLY FOR AND PAY FOR ALL NECESSARY PERMITS, FEES, AND INSPECTIONS REQUIRED BY ANY PUBLIC AUTHORITY HAVING JURISDICTION. ACREAGE CHARGES, BOND PROPERTY ASSESSMENTS AND FACILITIES CHARGE ARE NOT TO BE CONSTRUED TO BE A PART OF THIS CONTRACT.
- WARRANTY: PROVIDE ALL MATERIALS AND EQUIPMENT UNDER THIS SECTION OF THE SPECIFICATIONS WITH A ONE YEAR WARRANTY FROM THE DATE OF ACCEPTANCE OF WORK BY THE OWNER.
- COORDINATION: VERIFY ALL ROUGH-IN LOCATIONS AND COORDINATE PIPING AND EQUIPMENT LOCATIONS WITH WORK UNDER OTHER DIVISIONS OF THE SPECIFICATIONS TO AVOID CONFLICTS.
- FIELD VERIFICATION: FIELD VERIFY EXISTING CONDITIONS BEFORE STARTING CONSTRUCTION AND NOTIFY THE ARCHITECT/ENGINEER OF RECORD OF ANY DISCREPANCIES BETWEEN THE CONSTRUCTION DOCUMENTS AND EXISTING CONDITIONS AND/OR ANY POTENTIAL PROBLEMS OBSERVED BEFORE CONTINUING WORK IN THE EFFECTED AREAS.
- PLUMBING SYSTEMS INCLUDE, BUT ARE NOT LIMITED TO:
 - PLUMBING FIXTURES AND EQUIPMENT
 - FIRE STOPPING
 - DOMESTIC WATER SYSTEM
 - SANITARY WASTE AND VENT SYSTEM
 - STORM DRAIN SYSTEM

FIXTURES:

- PROVIDE COMPLETE FIXTURES AND INCLUDE SUPPLIES, STOPS, VALVES, FAUCETS, DRAINS, TRAPS, TAIL PIECES, ESCUTCHEONS, ETC.

FIRE STOPPING:

- FIRE STOP ALL PENETRATIONS, BY PIPING OR CONDUITS, OF FIRE RATED WALLS, FLOORS AND PARTITIONS: PROVIDE A DEVICE(S) OR SYSTEM(S) WHICH HAS BEEN TESTED AND LISTED AS COMPLYING WITH ASTM E-814 AND INSTALL IN ACCORDANCE WITH THE CONDITIONS OF THEIR LISTING. PROVIDE A DEVICE(S) OR SYSTEM(S) WITH AN "F" RATING EQUAL TO THE RATING OF THE ASSEMBLY BEING PENETRATED.

DOMESTIC WATER PIPING:

- DOMESTIC WATER PIPING BELOW GRADE: SOFT ANNEALED SEAMLESS COPPER TUBING, TYPE "K" WITH NO JOINTS BELOW GRADE (ASTM B 88).
- DOMESTIC WATER PIPING AND JOINTS ABOVE GRADE: HARD DRAWN SEAMLESS COPPER TUBING, TYPE "L" WITH 95-5 SILVER SOLDERED JOINTS (ASTM B 88).
- STERILIZE DOMESTIC WATER PIPING IN ACCORDANCE WITH THE AMERICAN WATER WORKS ASSOCIATION'S SPECIFICATIONS AND LOCAL HEALTH DEPARTMENT REGULATIONS.
- INSULATE DOMESTIC WATER PIPING ABOVE GRADE (EXCEPT EXPOSED CONNECTIONS TO PLUMBING FIXTURES) WITH ENGINEERED POLYMER FOAM INSULATION. FOLLOW THIS SCHEDULE:

SERVICE	PIPE SIZE	INSUL. THICKNESS
DOMESTIC HOT WATER (105°-140°F)	1/2" - 1 1/2"	1"
DOMESTIC COLD WATER	ALL	3/4"
- DOMESTIC WATER PIPING INSULATION, JACKETS, COVERINGS, SEALERS, MASTICS AND ADHESIVES ARE REQUIRED TO MEET A FLAME-SPREAD RATING OF 25 OR LESS AND A SMOKE-DEVELOPED RATING OF 50 OR LESS, AS TESTED BY ASTM E84 (NFPA 255) METHOD.
- DO NOT INSTALL DOMESTIC WATER PIPING IN AREAS SUBJECT TO FREEZING TEMPERATURES. INSTALL WATER PIPING IN EXTERIOR WALLS ON THE CONDITIONED SIDE OF THE WALL INSULATION.
- SHUT OFF VALVES: PROVIDE FULL PORT, BALL TYPE, AND INSTALL IN A LOCATION THAT PERMITS ACCESS FOR SERVICE WITHOUT DAMAGE TO THE BUILDING OR FINISHED MATERIALS. PROVIDE ACCESS DOORS IF REQUIRED.
- PROTECT COPPER PIPING AGAINST CONTACT WITH DISSIMILAR METALS. ALL HANGERS, SUPPORTS, ANCHORS, AND CLIPS SHALL BE COPPER OR COPPER PLATED. WHERE COPPER PIPING IS CARRIED ON IRON TRAPEZE HANGERS WITH OTHER PIPING, PROVIDE A PERMANENT ELECTROLYTIC ISOLATION MATERIAL TO PREVENT CONTACT WITH OTHER METALS.
- PROTECT COPPER PIPING AGAINST CONTACT WITH ALL MASONRY. WHERE COPPER IS SLEEVED THROUGH MASONRY, PROVIDE COPPER OR RED BRASS SLEEVES. WHERE COPPER MUST BE CONCEALED IN OR AGAINST MASONRY PARTITIONS, PROVIDE A HEAVY COATING OF ASPHALTIC ENAMEL ON THE COPPER PIPING AND 15# ASPHALT SATURATED FELT BETWEEN THE PIPING AND THE MASONRY PARTITION.
- PROVIDE ACCESS DOORS FOR VALVE, WATER HAMMER ARRESTORS, ETC. CONCEALED IN MASONRY WALL OR ABOVE GYPSBOARD CEILINGS.

SANITARY WASTE, VENT AND STORM DRAIN PIPING:

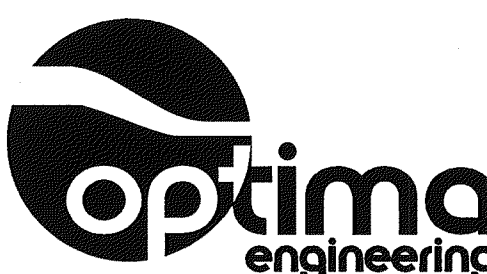
- SANITARY WASTE & STORM DRAIN PIPING AND FITTINGS BELOW GRADE/FLOOR: SERVICE WEIGHT CAST IRON, HUB AND SPIGOT TYPE WITH COMPRESSION JOINTS (ASTM A 74) OR NO-HUB PIPING WITH COUPLINGS (CISPI 301). IF PERMITTED BY LOCAL CODES, SCHEDULE 40 PVC (ASTM D 2665) WITH SCHEDULE 40 SOCKET-TYPE PIPE FITTINGS (ASTM D 3311) MAY BE USED.
- SANITARY WASTE, VENT AND STORM DRAIN PIPING AND FITTINGS ABOVE FLOOR: SERVICE WEIGHT CAST IRON, NO-HUB TYPE WITH COUPLINGS (CISPI 301). IF PERMITTED BY LOCAL CODES, SCHEDULE 40 PVC (ASTM D 2665) WITH SCHEDULE 40 SOCKET-TYPE PIPE FITTINGS (ASTM D 3311) MAY BE USED.
- SLOPE SANITARY WASTE PIPING 2 1/2" AND SMALLER AT 1/4" PER FOOT MIN. SLOPE SANITARY WASTE AND STORM DRAIN PIPING 3" AND LARGER AT 1/8" PER FOOT MINIMUM.
- WHERE WASTE PIPING IS EXPOSED IN REST ROOM AREAS, PROVIDE CHROME PLATED BRASS PIPING WITH MATCHING STOPS AND ESCUTCHEONS. PROVIDE REMOVABLE TRAPS WITH INTEGRAL CLEAN-OUT PLUG FOR ALL LAVATORIES.
- INSTALL CLEAN-OUTS AT THE BASE OF ALL WASTE STACKS AND EVERY TURN IN PIPING IN EXCESS OF 45° AND NO FURTHER THAN 100'-0" APART IN A LOCATION THAT PERMITS ACCESS FOR SERVICE WITHOUT DAMAGE TO THE BUILDING OR FINISHED MATERIALS.
- INSULATE HORIZONTAL STORM DRAIN PIPING ABOVE GRADE AND ROOF DRAIN BODIES WITH 1/2" ENGINEERED POLYMER FOAM INSULATION. THIS INCLUDES THE PRIMARY AND SECONDARY STORM DRAIN SYSTEMS.
- STORM DRAIN PIPING INSULATION, JACKETS, COVERINGS, SEALERS, MASTICS AND ADHESIVES ARE REQUIRED TO MEET A FLAME-SPREAD RATING OF 25 OR LESS AND A SMOKE-DEVELOPED RATING OF 50 OR LESS, AS TESTED BY ASTM E84 (NFPA 255) METHOD.

SEISMIC REQUIREMENTS:

- PROPERLY SUPPORT AND BRACE VERTICALLY AND HORIZONTALLY ALL PIPING, APPARATUS, EQUIPMENT, ETC. IN ACCORDANCE WITH APPLICABLE CODES TO PREVENT EXCESSIVE MOVEMENT DURING SEISMIC CONDITIONS.

LAMBERT
ARCHITECTURE - INTERIORS

2400 Reynolds Road
Suite 202
Winston-Salem, NC 27106
Phone 336 777 3657
Fax 336 777 3658
www.lambert.com

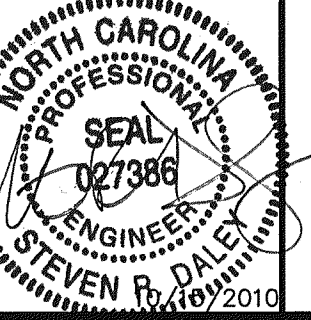


1927 South Tryon St., Suite 300, Charlotte NC 28203
Phone: 704-338-1292 • www.optimaeng.com
North Carolina License Number: C-914

BB&T

BRANCH BANK
701 VILLAGE WALK DRIVE
HOLLY SPRINGS, NC

BB&T PLANON # DEN-00000126



<input type="checkbox"/>	OWNER REVIEW
<input type="checkbox"/>	PRELIMINARY DOCUMENTS
<input type="checkbox"/>	DESIGN DEVELOPMENT DOCUMENTS
<input type="checkbox"/>	PERMITTING DOCUMENTS
<input type="checkbox"/>	BID DOCUMENTS
<input type="checkbox"/>	CONSTRUCTION DOCUMENTS
<input type="checkbox"/>	RECORD DOCUMENTS

REVISIONS:

JOB NO: 10038
SHEET: P1.1 1 OF 2
DATE: 10/15/2010
DRAWN: IRG

© 2010 - LAMBERT Architecture + Interiors
OPTIMA# 10-0292