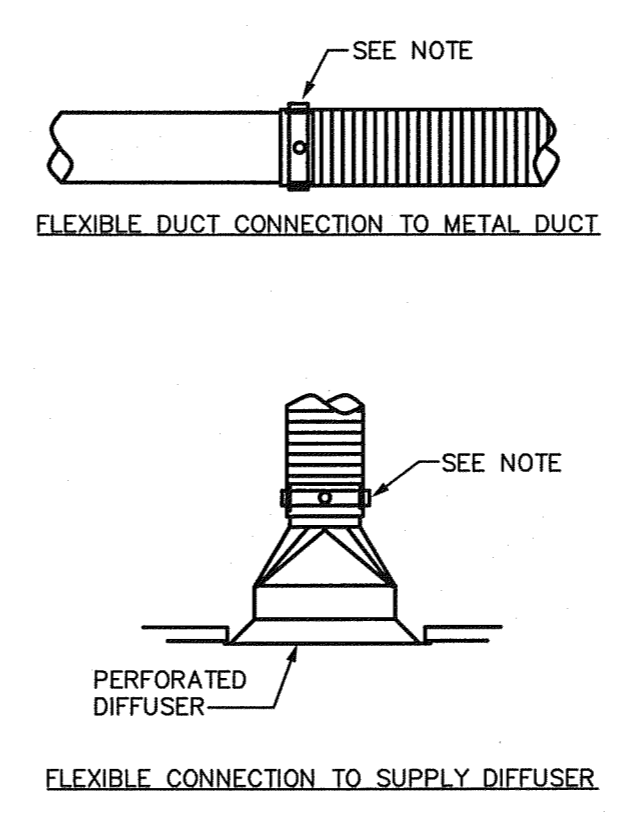
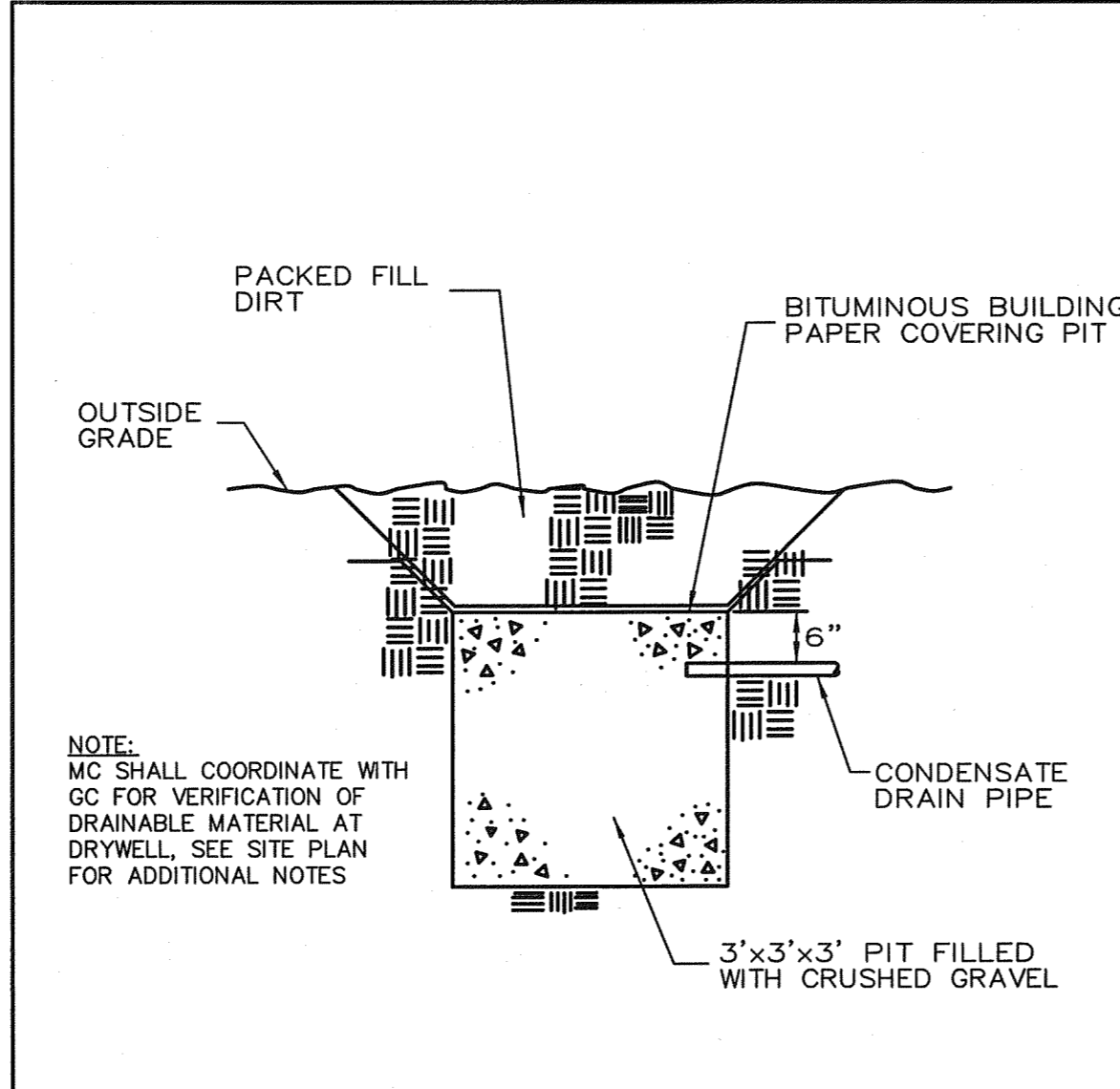


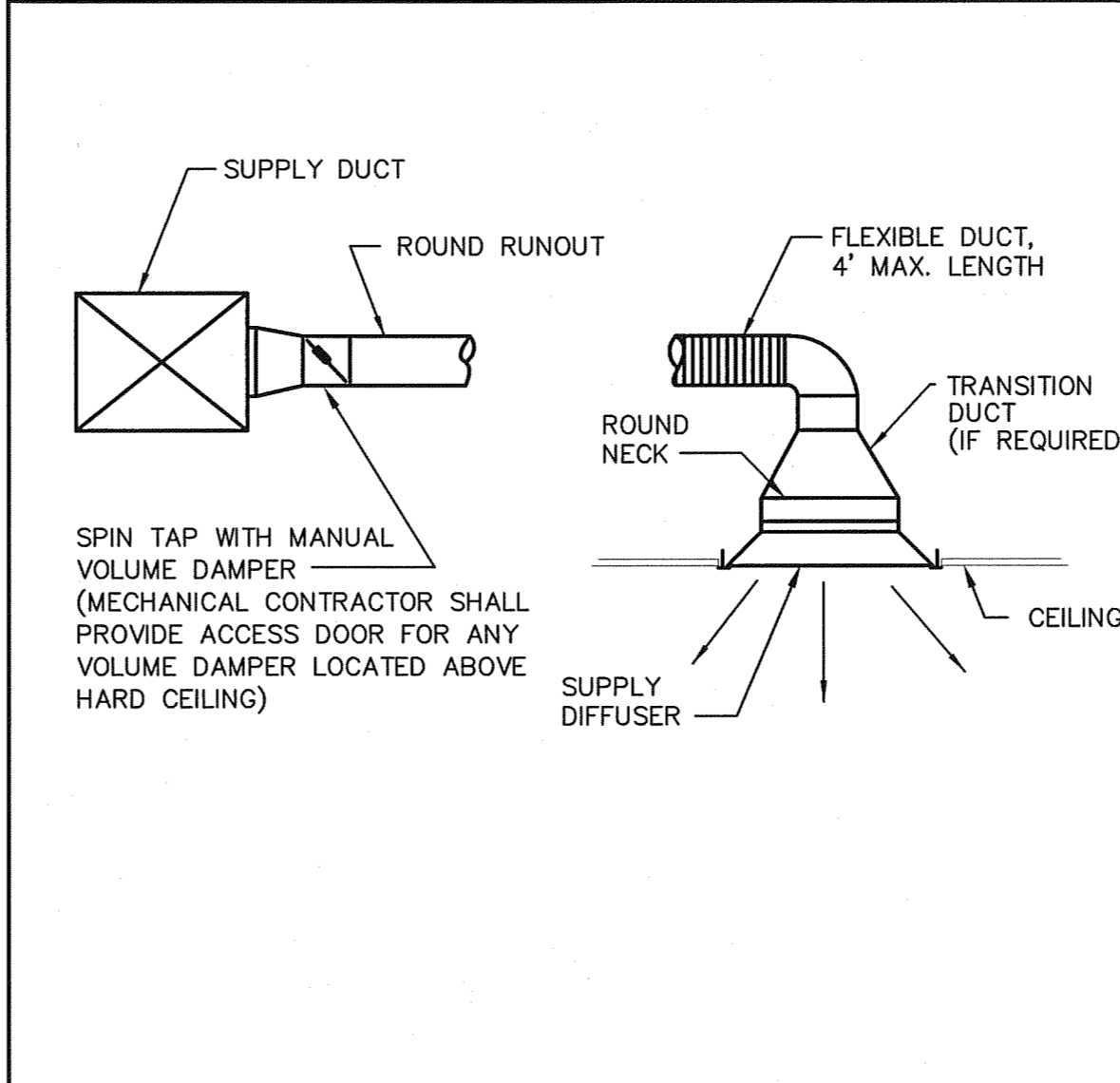
1 DUCTWORK DETAILS
NO SCALE



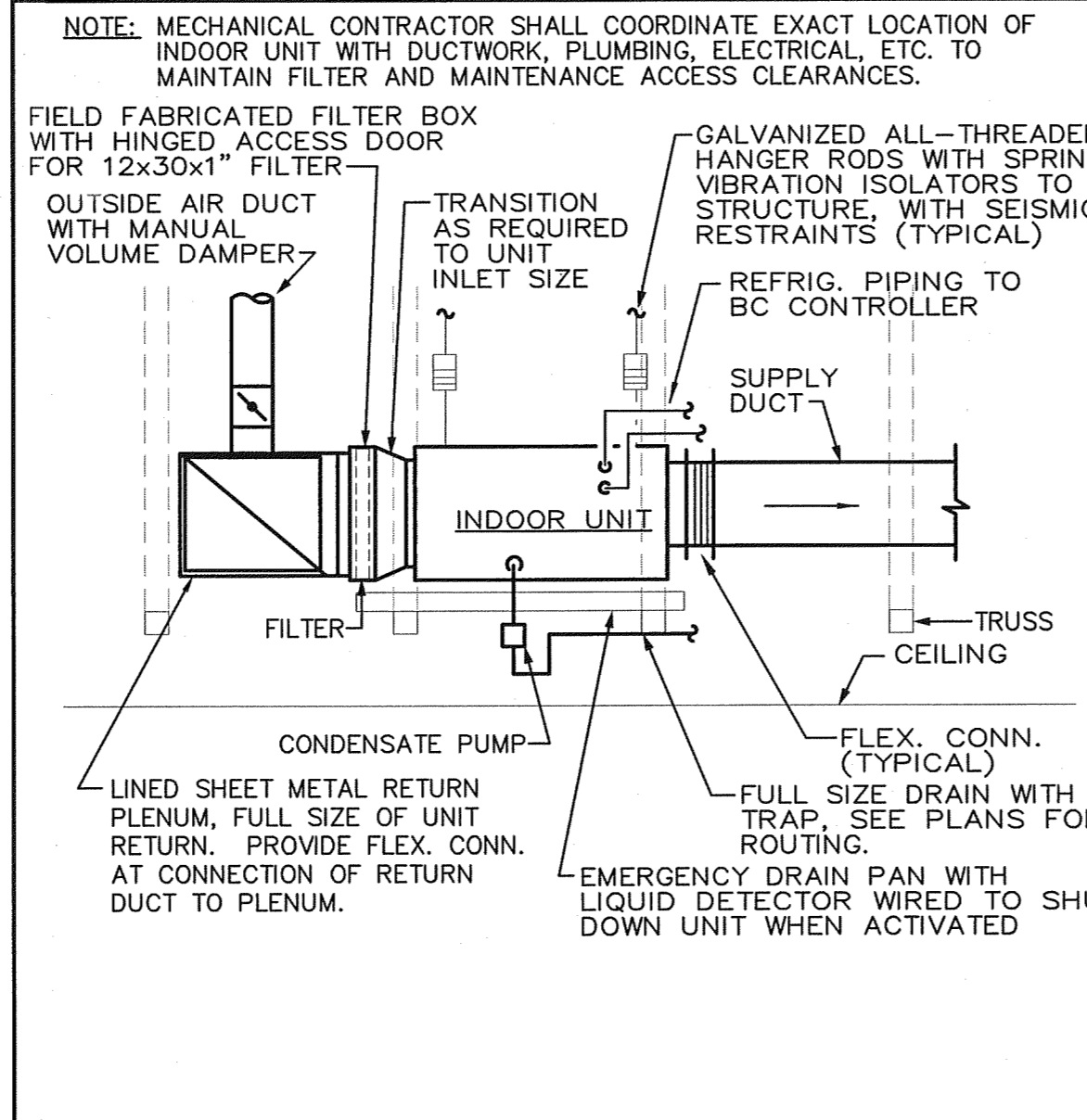
2 FLEX. CONNECTION DETAIL
NO SCALE



3 DRYWELL DETAIL
NO SCALE



4 SPIN TAP TO ROUND NECK DIFFUSER
NO SCALE



5 DUCTED INDOOR UNIT DETAIL
NO SCALE

- MECHANICAL GENERAL NOTES**
- DO NOT SCALE DRAWINGS. SEE ARCHITECTURAL DRAWINGS AND REFLECTED CEILING PLANS FOR EXACT LOCATION OF DOORS, WINDOWS, CEILING DIFFUSERS, ETC.
 - ALL COST ASSOCIATED WITH SUBSTITUTED EQUIPMENT TO COMPLY WITH BASIS OF DESIGN, INCLUDING PROVIDING MAINTENANCE ACCESS, CLEARANCE, PIPING, SHEET METAL, ELECTRICAL, REPLACEMENT OF OTHER SYSTEM COMPONENTS, BUILDING ALTERATIONS, ETC., SHALL BE INCLUDED IN THE ORIGINAL BASE BID. NO ADDITIONAL COST ASSOCIATED WITH SUBSTITUTED EQUIPMENT WILL BE APPROVED DURING CONSTRUCTION AND ALL COST WILL BE THE RESPONSIBILITY OF THE MECHANICAL CONTRACTOR.
 - ALL DUCTWORK SHALL BE GALVANIZED SHEET METAL CONSTRUCTED IN ACCORDANCE WITH THE LATEST SMANVA STANDARDS. ALL SUPPLY AND OUTSIDE AIR DUCTWORK SHALL BE WRAPPED WITH 2" THICK DUCT WRAP WITH VAPOR BARRIER, INSULATION (INCLUDING FLEXIBLE DUCT INSULATION) SHALL HAVE A MINIMUM INSTALLED R-VALUE OF 5.0. RETURN DUCTWORK SHALL BE LINED WITH 1" THICK FIBERGLASS DUCT LINER FOR ACOUSTICAL PURPOSES. DUCT DIMENSIONS ON PLANS ARE SHEET METAL SIZE AND HAVE BEEN INCREASED FOR LINER WHERE APPLICABLE.
 - ALL PIPING, DUCTS, VENTS, ETC., EXTENDING THROUGH WALLS AND ROOF SHALL BE FLASHED AND COUNTERFLASHED IN A WATERPROOF MANNER.
 - ALL PIPING AND DUCTWORK LOCATIONS SHALL BE COORDINATED WITH THE WORK UNDER OTHER DIVISIONS OF THE SPECIFICATIONS, TO AVOID INTERFERENCE.
 - THE MECHANICAL CONTRACTOR SHALL BALANCE ALL MECHANICAL SYSTEMS TO THE PERFORMANCE SPECIFICATIONS INDICATED ON PLANS AND PROVIDE THE ENGINEER WITH THREE COPIES OF A COMPLETE TEST AND BALANCE REPORT. THE REPORT IS TO BE ISSUED A MINIMUM OF TWO WEEKS PRIOR TO PROJECT COMPLETION. THE TEST AND BALANCE REPORT WILL BE SUBJECT TO REVIEW AND APPROVAL BY THE ENGINEER. ANY ADDITIONAL TESTING, ADJUSTING AND BALANCING REQUIRED (AT ENGINEER'S REQUEST) AFTER REVIEW OF THE INITIAL REPORT SHALL BE PROVIDED AT NO ADDITIONAL COST.
 - PROVIDE A ONE YEAR WARRANTY FOR ALL WORK PERFORMED BEGINNING ON THE DAY THE SYSTEM IS COMPLETELY OPERATIONAL AND ACCEPTABLE BY THE OWNER.
 - PROVIDE MANUFACTURER'S RECOMMENDED CLEARANCES AROUND ALL EQUIPMENT FOR MAINTENANCE AND FILTER REMOVAL.
 - PROVIDE TWO COPIES OF INSTALLATION, OPERATION, AND MAINTENANCE MANUALS TO THE OWNER WITHIN 15 CALENDAR DAYS OF ACCEPTANCE OF THE SYSTEM.
 - CONDENSATE DRAIN PIPING SHALL BE SCHEDULE 40 PVC PIPE AND FITTINGS. DRAINS FROM AIR HANDLING UNITS SHALL BE TRAPPED. MINIMUM DRAIN SIZE SHALL BE 3/4".
 - ALL REFRIGERANT PIPE SHALL BE NITROGENIZED ACR COPPER TUBE. SIZE, INSULATE, AND INSTALL REFRIGERANT PIPING PER MANUFACTURER'S RECOMMENDATIONS.
 - ANY DEVICE REQUIRING A THERMOSTAT FOR CONTROL SHALL BE FURNISHED WITH A THERMOSTAT WHETHER INDICATED ON THE DRAWINGS OR NOT.
 - LOCATE ALL THERMOSTATS AND SWITCHES 4'-0" ABOVE FINISH FLOOR. COORDINATE EXACT THERMOSTAT LOCATION WITH OWNER PRIOR TO INSTALLATION.
 - MECHANICAL CONTRACTOR SHALL VERIFY LOCATION OF ROOF PENETRATIONS FOR RELIEF HOODS AND OUTSIDE AIR HOODS WITH ARCHITECT & OWNER PRIOR TO INSTALLATION.
 - MECHANICAL CONTRACTOR SHALL LOCATE EXHAUST FANS, OUTLETS, AND GAS FLUES A MINIMUM OF 10'-0" FROM ANY OUTSIDE AIR INTAKE.
 - PROVIDE UNIONS, FLANGES OR COUPLINGS AT CONNECTION TO ALL VALVES AND EQUIPMENT. DO NOT USE DIRECT WELDED OR THREADED CONNECTIONS TO VALVES, EQUIPMENT OR OTHER APPARATUS.
 - PROVIDE NON-CONDUCTING DIELECTRIC UNIONS WHENEVER CONNECTING DISSIMILAR METALS.

MECHANICAL LEGEND

SYMBOL	DESCRIPTION
Ⓧ	THERMOSTAT (4'-0" ABOVE FLOOR)
Ⓢ	SWITCH (4'-0" ABOVE FLOOR)
ⓐ	AUDIO/VISUAL ALARM WIRED TO DUCT SMOKE DETECTOR
Ⓛ	ELECTRICAL ROOM A/C FAILURE INDICATOR LIGHT WITH IDENTIFICATION LABEL
ⓧ	SUPPLY AIR DIFFUSER
Ⓩ	RETURN AIR GRILLE
Ⓩ	EXHAUST AIR GRILLE
—	DOUBLE LINE DUCTWORK
—	SINGLE LINE DUCTWORK
20x14	20"x 14" RECTANGULAR DUCT
8"⌀	8" DIAMETER ROUND DUCT
SD	SMOKE DETECTOR (FURNISHED AND INSTALLED BY M.C.)
—D—	CONDENSATE DRAIN PIPING
—R—	REFRIGERANT PIPING

LAMBERT
ARCHITECTURE • INTERIORS

2400 Reynolds Road
Suite 202
Winston-Salem, NC 27106
Phone 336 777 3657
Fax 336 777 3658
www.lambertal.com

optima
engineering

1927 South Tryon St., Suite 300, Charlotte NC 28203
Phone: 704-338-1292 • www.optimaqa.com
North Carolina License Number C-0914

BB&T

BRANCH BANK
701 VILLAGE WALK DRIVE
HOLLY SPRINGS, NC

BB&T PLANON # DEN-00000126

NORTH CAROLINA
PROFESSIONAL SEAL
027386
ENGINEERS
STEVEN R. DALEY
10-15-10

- OWNER REVIEW
- PRELIMINARY DOCUMENTS
 - DESIGN DEVELOPMENT DOCUMENTS
 - PERMITTING DOCUMENTS
 - BID DOCUMENTS
 - CONSTRUCTION DOCUMENTS
 - RECORD DOCUMENTS

REVISIONS:

JOB NO: 10036
SHEET
DATE: 10/15/2010
DRAWN: CHD

M32 3 OF 3