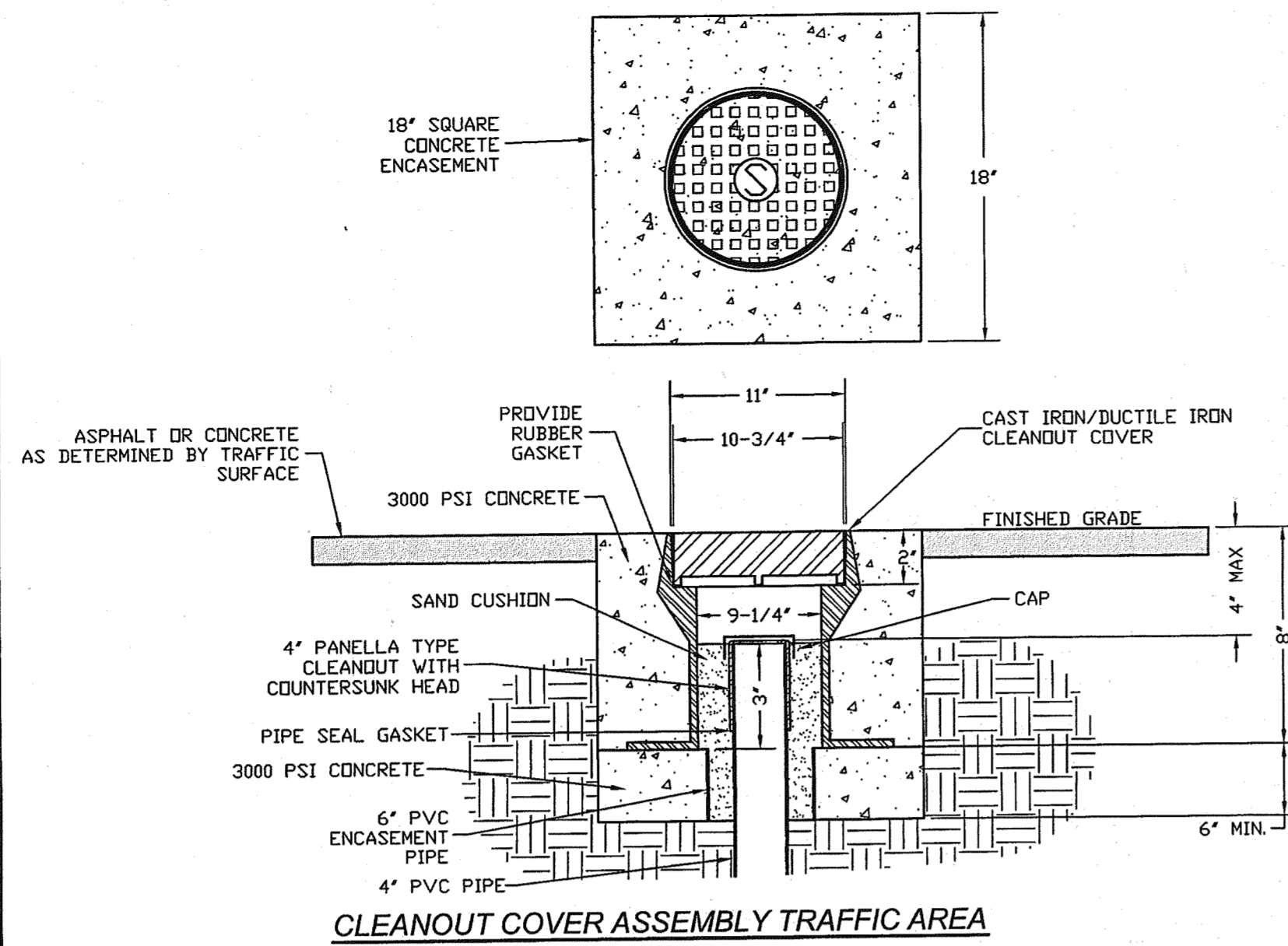
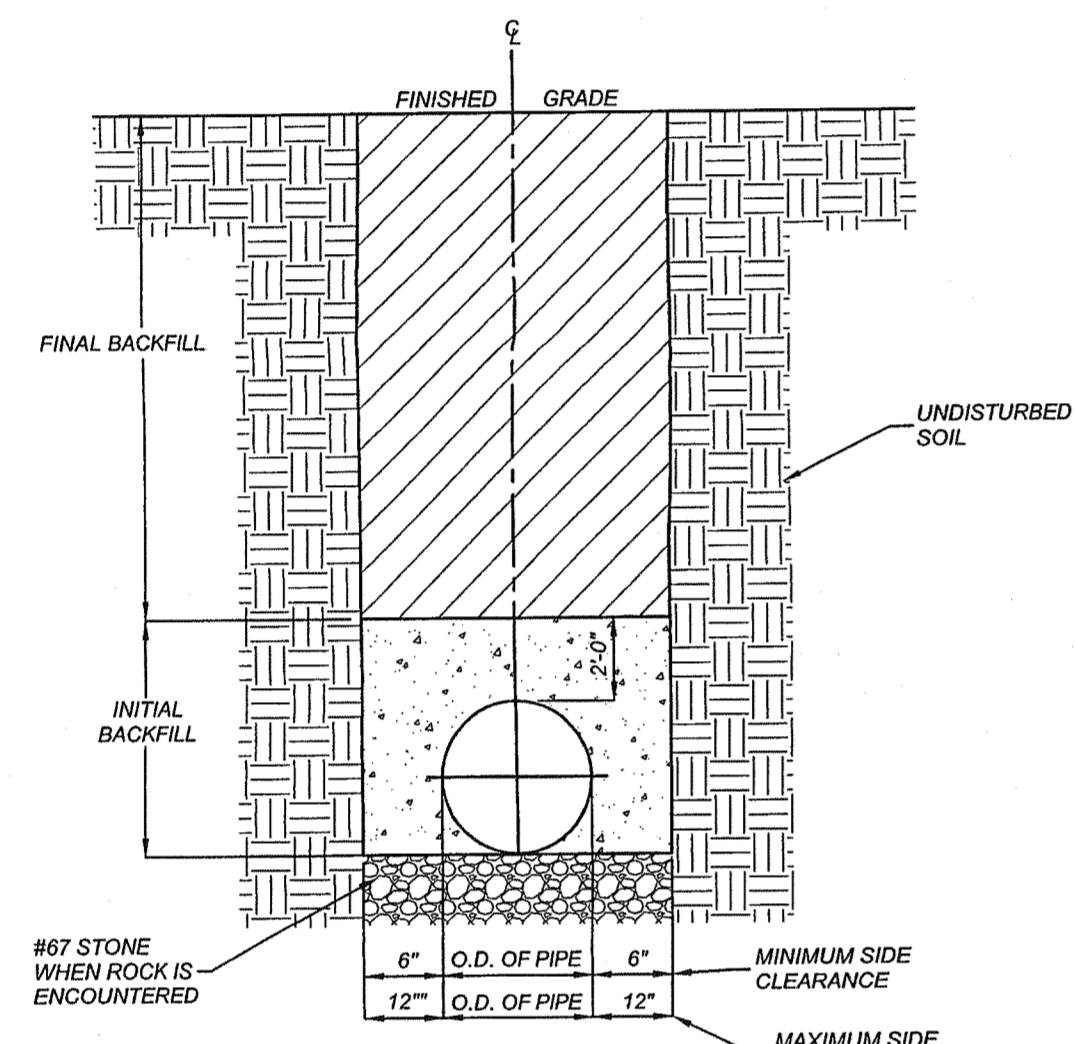


**SANITARY SEWER CLEANOUT**

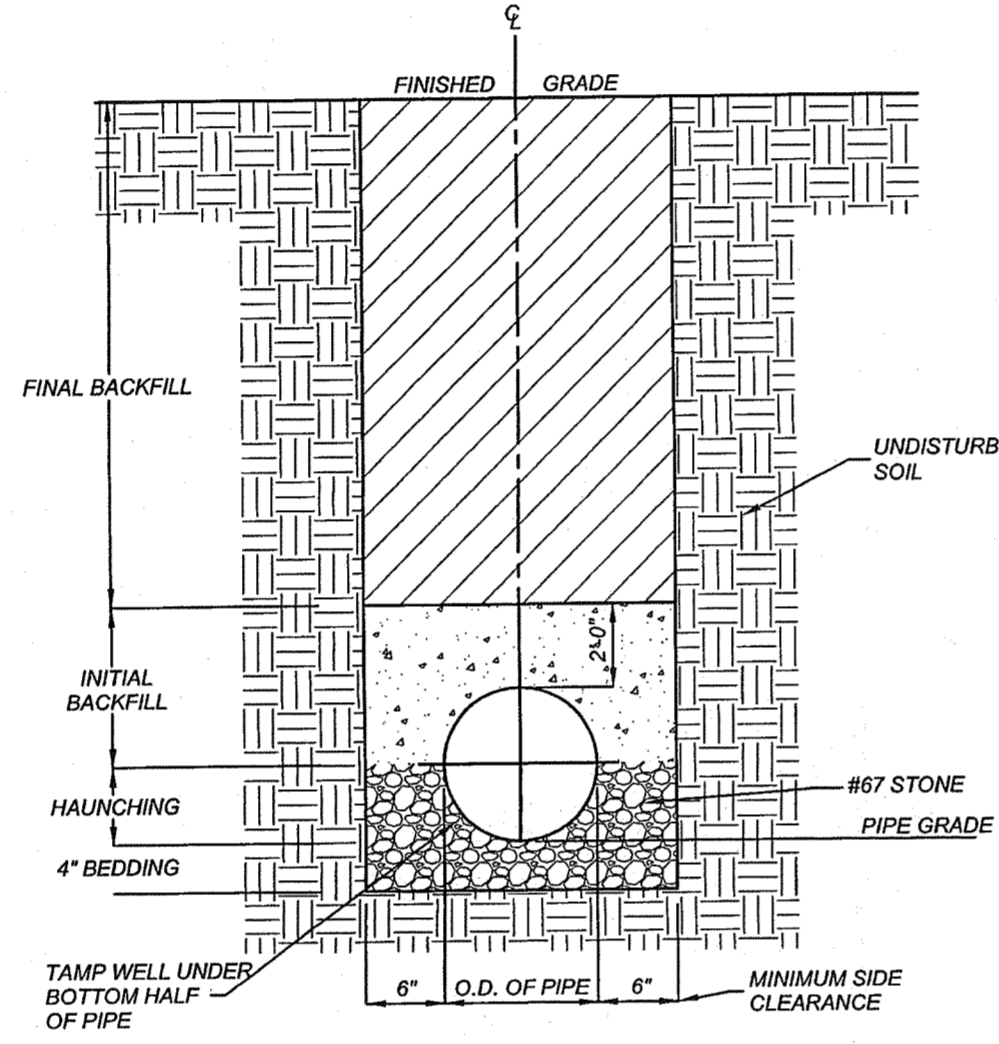


**CLEANOUT COVER ASSEMBLY TRAFFIC AREA**



- NOTES:**
1. TRENCHES REQUIRING SHORING AND BRACING, DIMENSIONS SHALL BE TAKEN FROM THE INSIDE FACE OF THE SHORING AND BRACING.
  2. NO ROCKS OR BOULDERS 4" OR LARGER TO BE USED IN INITIAL BACKFILL.
  3. ALL BACKFILL MATERIAL SHALL BE SUITABLE NATIVE MATERIAL.
  4. BACKFILL SHALL BE TAMPED IN 6" LIFTS IN TRAFFIC AREAS, 8"-10" IN NON-TRAFFIC AREAS.
  5. ACHIEVE 80% COMPACTION IN NON-TRAFFIC AREAS, AND 98% COMPACTION IN TRAFFIC AREAS.
  6. IF IN EASEMENT 4" TOPSOIL, AND 12" CLEAN SELECT FILL IS REQUIRED.
  7. NO BOULDERS 8" IN DIAMETER OR GREATER ALLOWED.

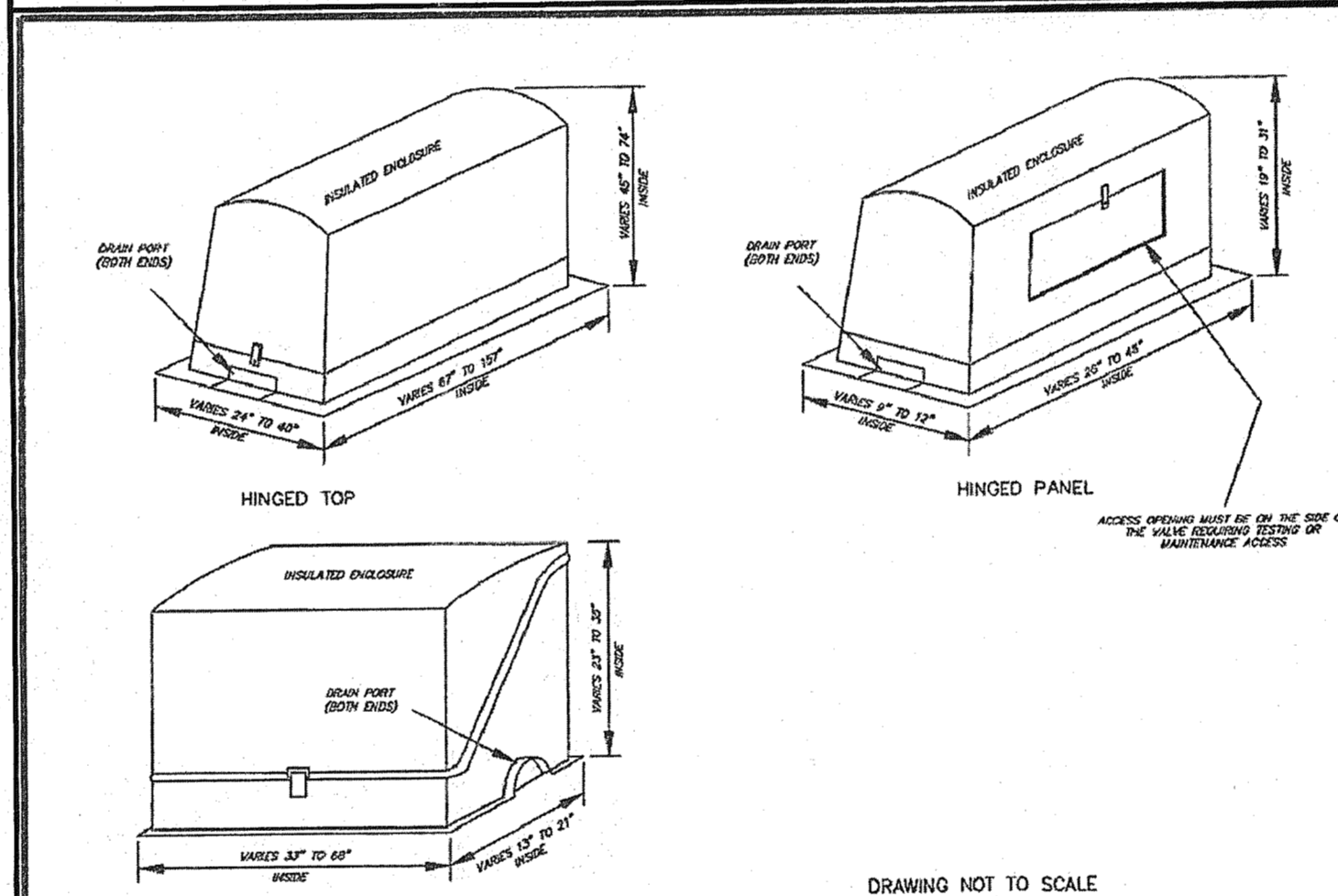
**TRENCH BOTTOM DIMENSIONS & BACKFILLING REQUIREMENTS FOR DUCTILE IRON AND REINFORCED CONCRETE PIPE**



- TYPICAL TRENCH BOTTOM DIMENSIONS FOR SDR 35 PVC GRAVITY PIPE**
1. FOR TRENCHES REQUIRING SHORING AND BRACING, DIMENSIONS SHALL BE TAKEN FROM THE FACE OF THE SHORING AND BRACING.
  2. NO ROCKS OR BOULDERS 4" OR LARGER TO BE USED IN INITIAL BACKFILL.
  3. ALL BACKFILL MATERIAL SHALL BE SUITABLE NATIVE MATERIAL.
  4. BACKFILL SHALL BE TAMPED IN 6" LIFTS IN TRAFFIC AREAS, 8"-10" IN NON-TRAFFIC AREAS.

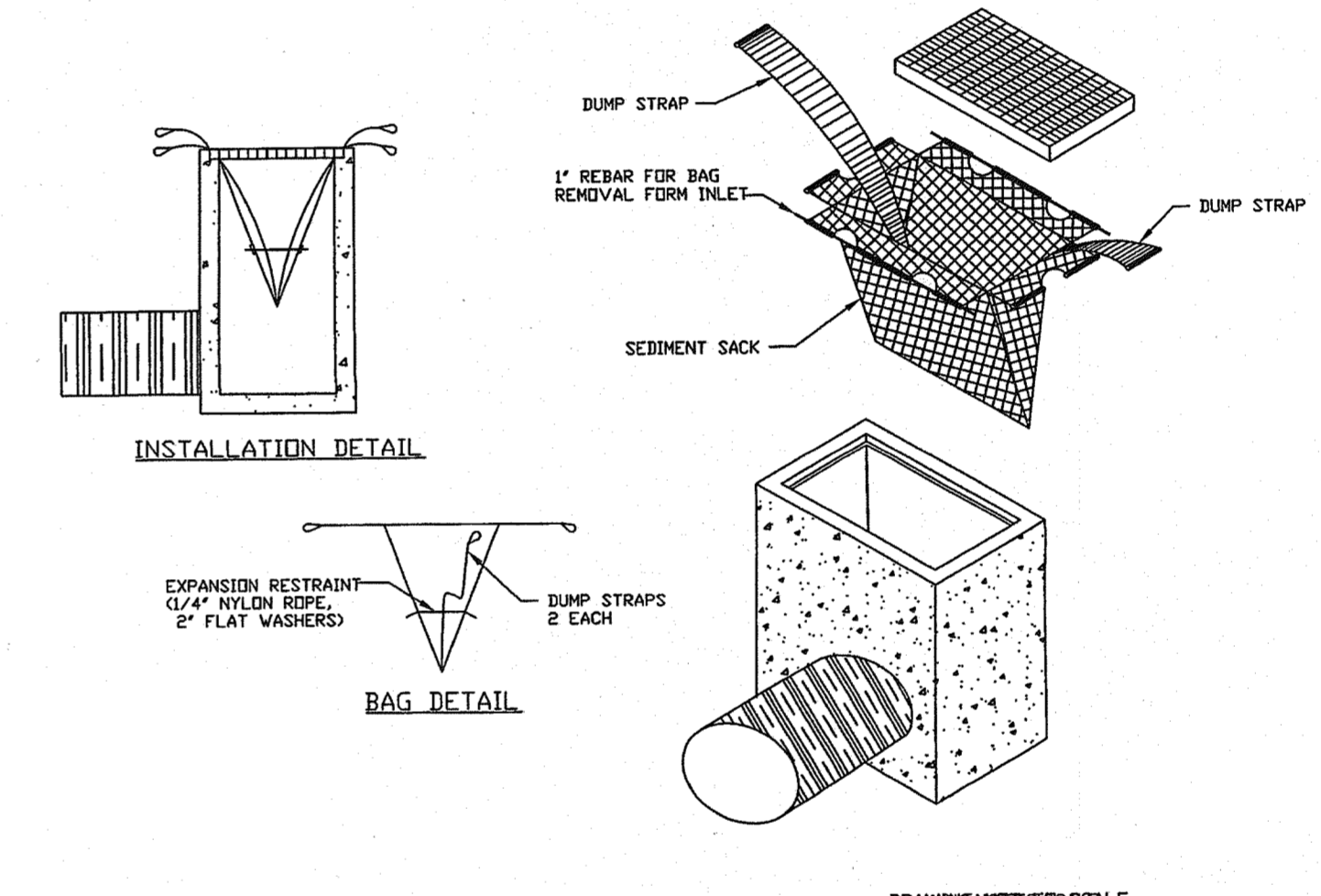
**TRENCH BOTTOM DIMENSIONS & BACKFILLING REQUIREMENTS FOR PVC GRAVITY SEWER MAIN**

**TRENCH DETAILS**



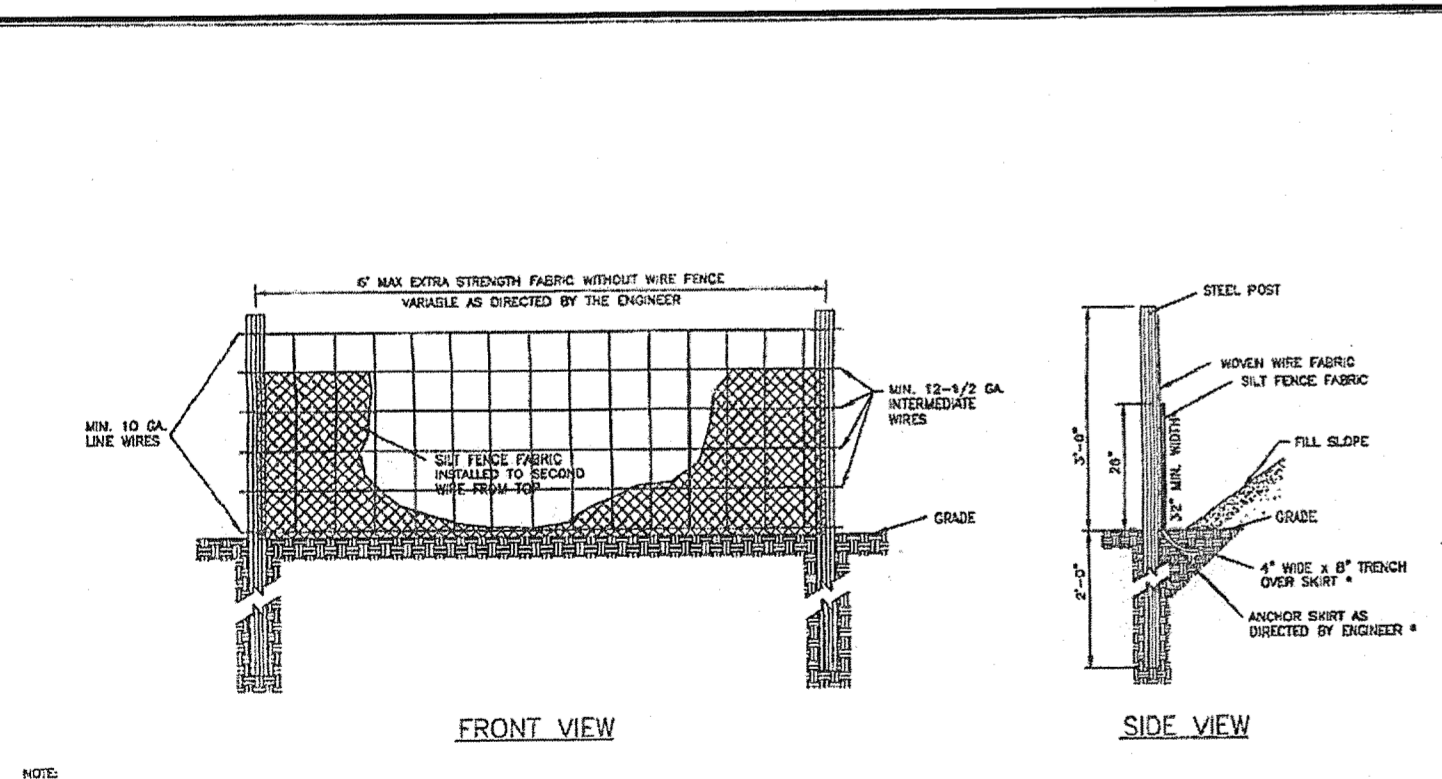
**OUTDOOR RPZ SERVICES COVER**  
TOWN OF HOLLY SPRINGS ENGINEERING DEPARTMENT

STANDARD DETAIL NUMBER: HS819	DATE	REVISIONS
-------------------------------	------	-----------



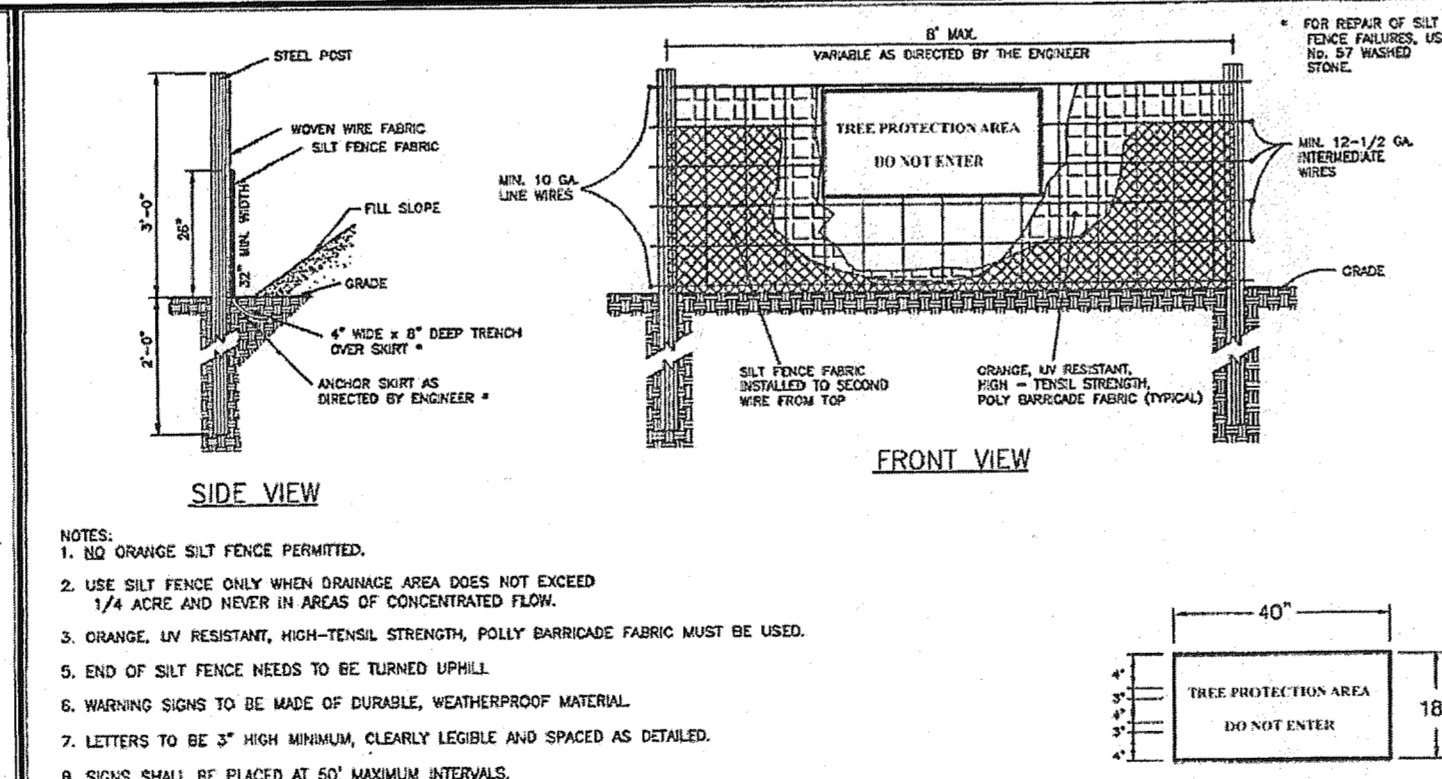
**STANDARD INLET SEDIMENT CONTROL DEVICE**  
TOWN OF HOLLY SPRINGS ENGINEERING DEPARTMENT

STANDARD DETAIL NUMBER: HS820	DATE	REVISIONS
-------------------------------	------	-----------



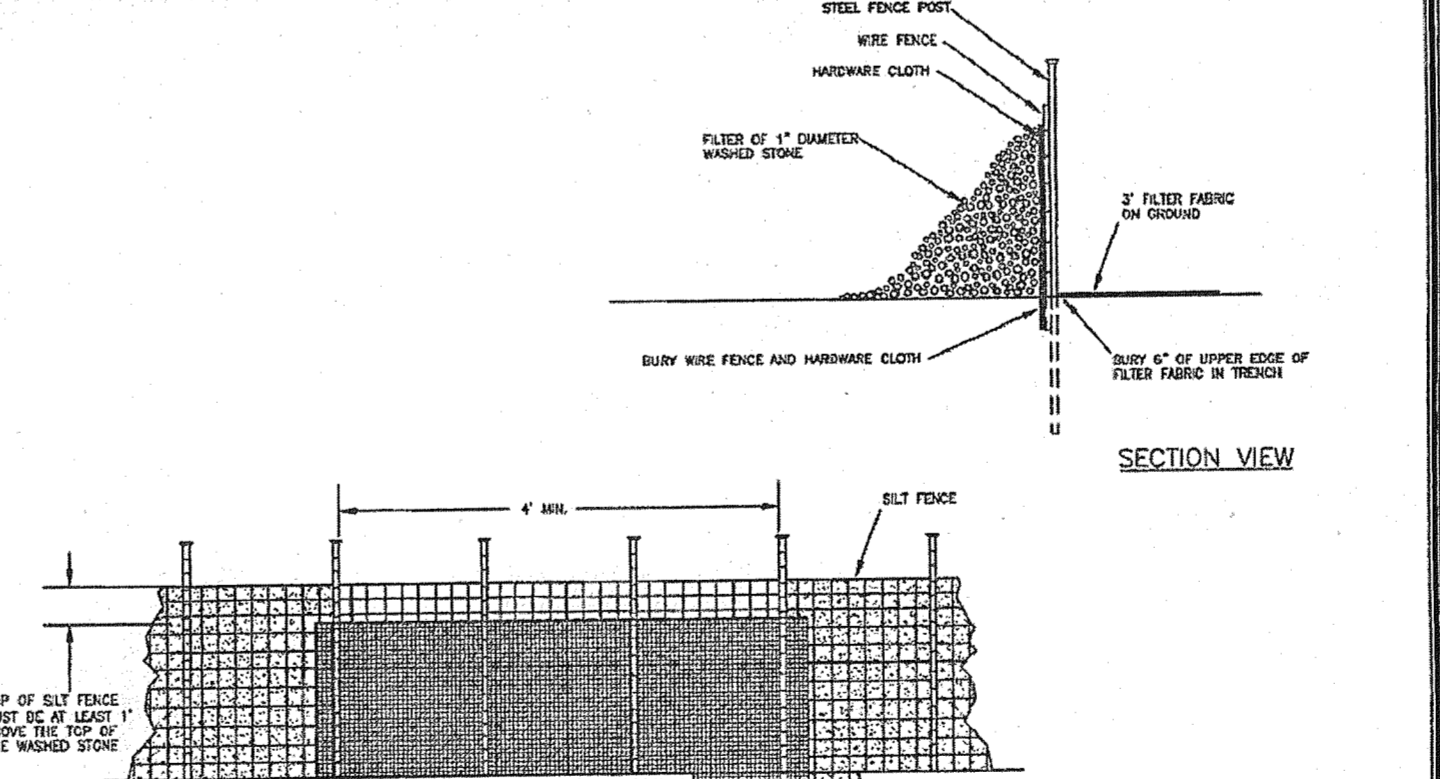
**STANDARD TEMPORARY SILT FENCE**  
TOWN OF HOLLY SPRINGS ENGINEERING DEPARTMENT

STANDARD DETAIL NUMBER: HS401	DATE	REVISIONS
-------------------------------	------	-----------



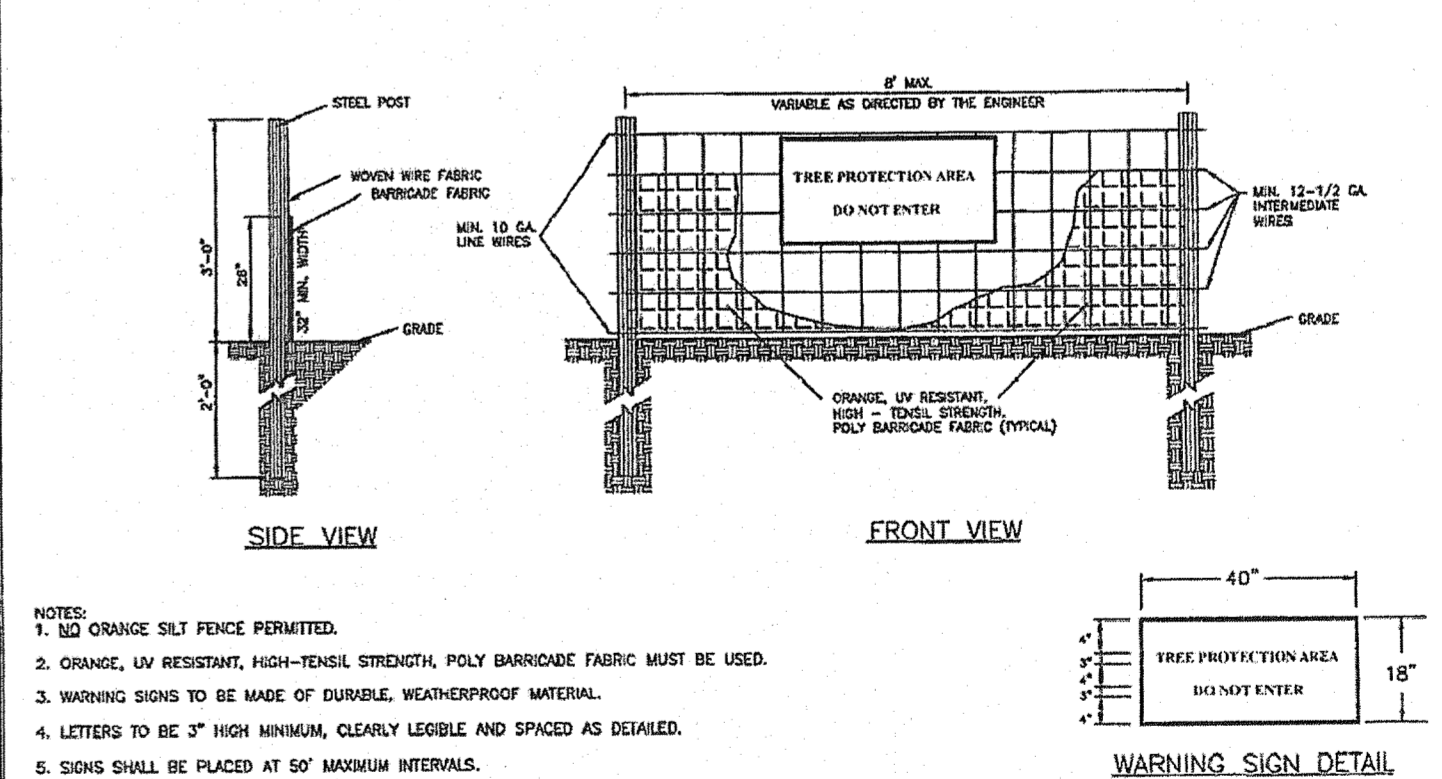
**STANDARD TEMPORARY SILT/TREE PROTECTION FENCE**  
TOWN OF HOLLY SPRINGS ENGINEERING DEPARTMENT

STANDARD DETAIL NUMBER: HS402	DATE	REVISIONS
-------------------------------	------	-----------



**SILT FENCE OUTLET**  
TOWN OF HOLLY SPRINGS ENGINEERING DEPARTMENT

STANDARD DETAIL NUMBER: HS404	DATE	REVISIONS
-------------------------------	------	-----------



**STANDARD TREE PROTECTION DETAIL**  
TOWN OF HOLLY SPRINGS ENGINEERING DEPARTMENT

STANDARD DETAIL NUMBER: HS403	DATE	REVISIONS
-------------------------------	------	-----------

NO.	DATE	DESCRIPTION
1	07-16-08	REVISE PER NEW LIGHT LOCATIONS
2	08-15-08	REVISE PER TOWN SCOPING MEETING
3	09-19-08	REVISE PER TOWN COMMENTS #1
4	10-08-08	REVISE PER TOWN COMMENTS #2
5	09-13-10	REVISE PER NEW SURVEY

**COMMERCIAL SITE DESIGN**

8912 CREEDMOOR ROAD  
RALEIGH, NORTH CAROLINA 27613

(919) 846-0221 FAX: (919) 846-3741  
WWW.CSITEDESIGN.COM

CLIENT:  
BRANCH BANKING & TRUST CO.  
P.O. BOX 1290  
WINSTON-SALEM, N.C. 27102-1290  
PHONE: (336) 705-5705  
FAX: (336) 703-5739

**BB&T**  
SOUTH PARK VILLAGE  
701 VILLAGE WALK DRIVE  
HOLLY SPRINGS, NORTH CAROLINA

PROJECT NO.	BBT-0714
FILENAME	BBT0714-DTL3
DRAWN BY	JWR
SCALE	N.T.S.
DATE	OCTOBER 17, 2007
SHEET NO.	C-7