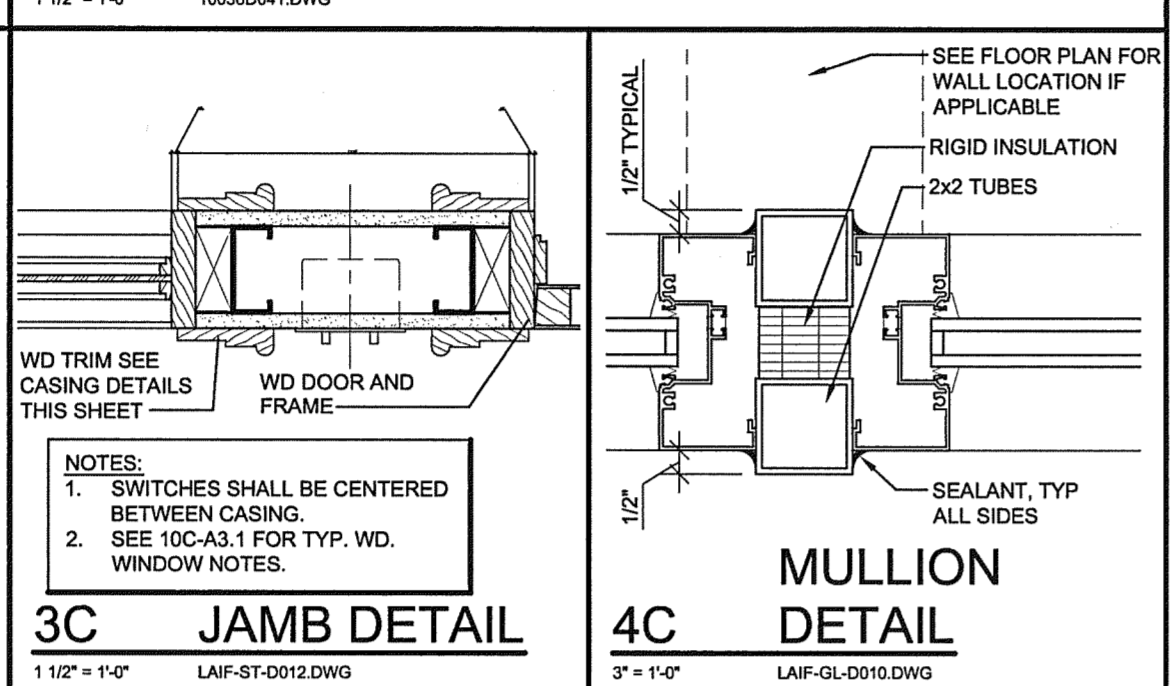
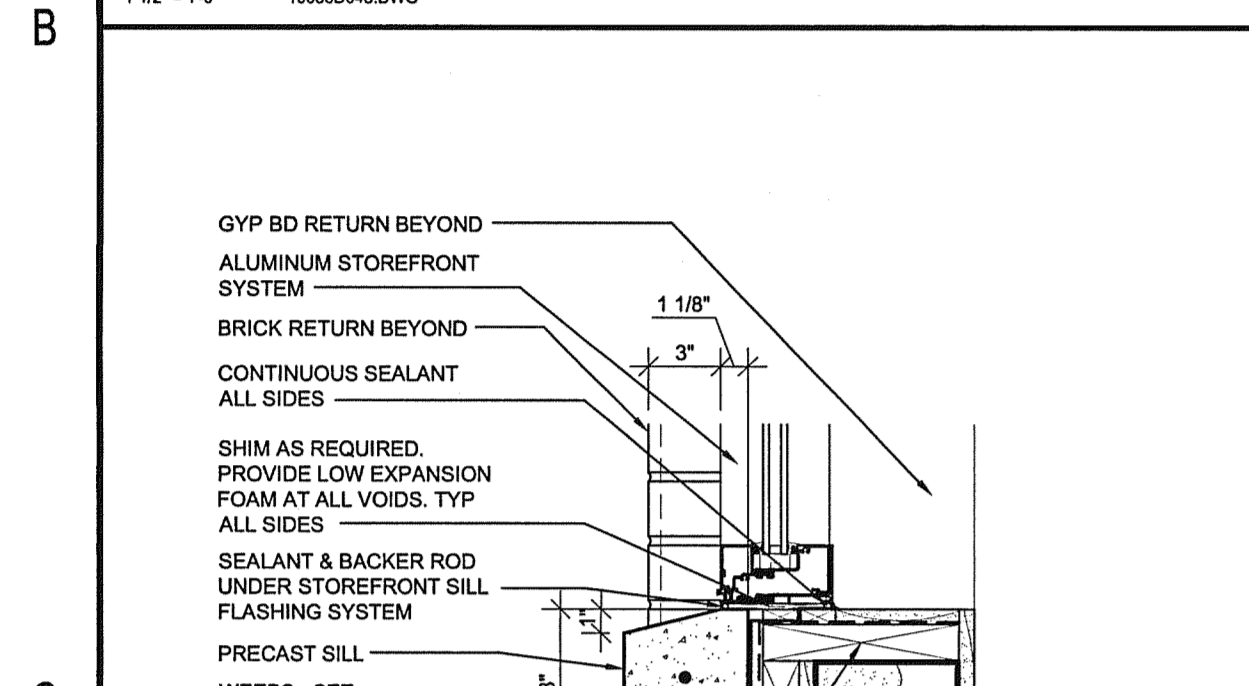
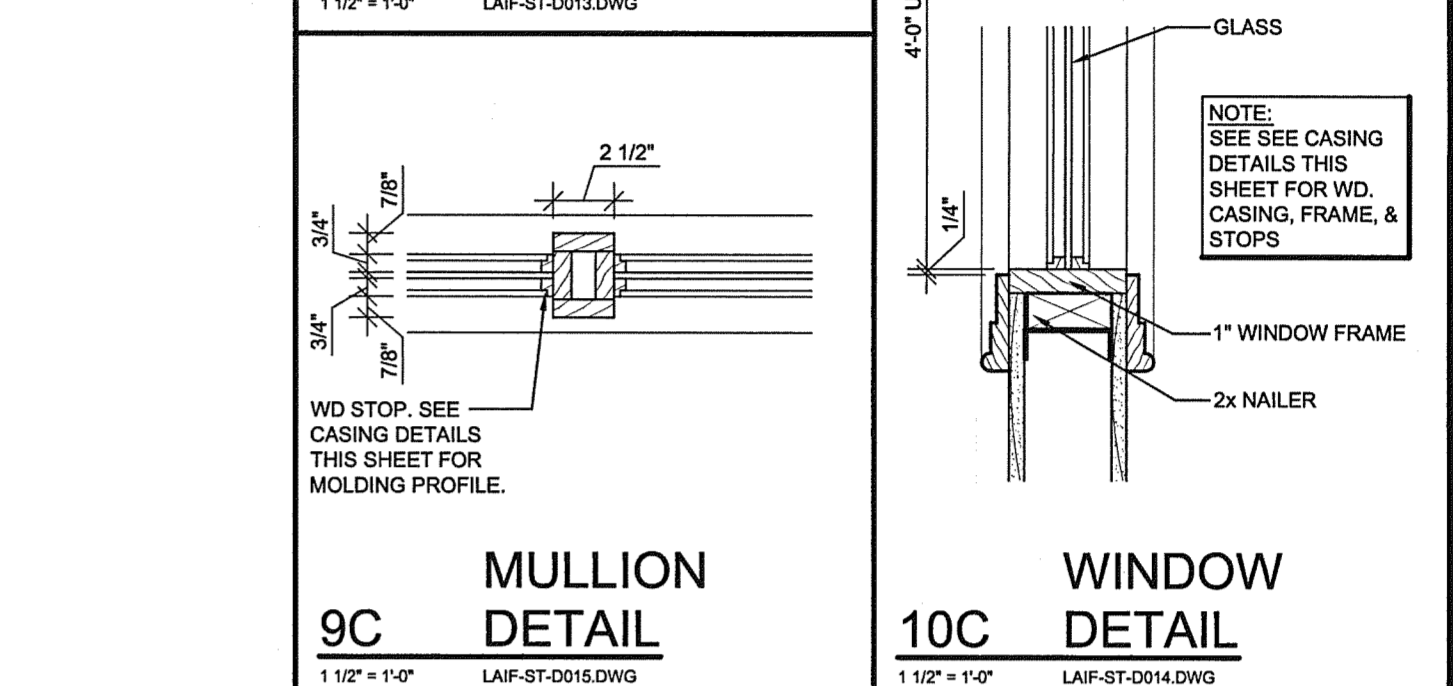
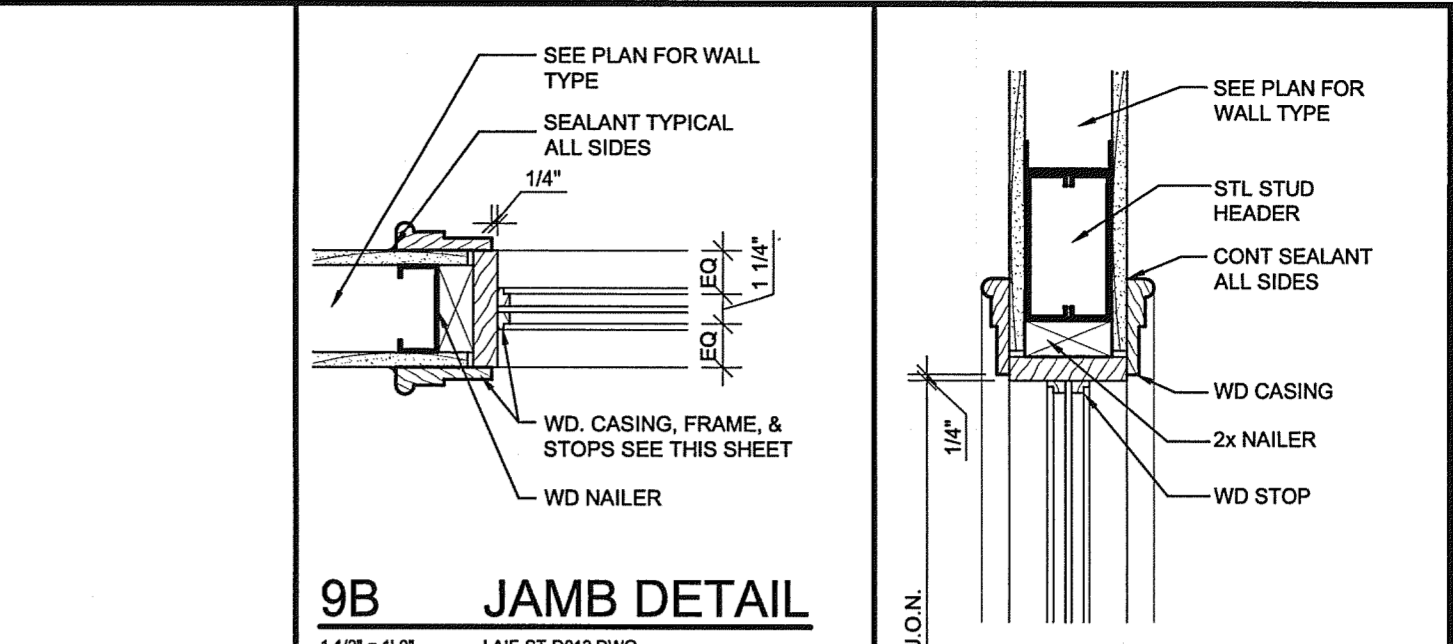
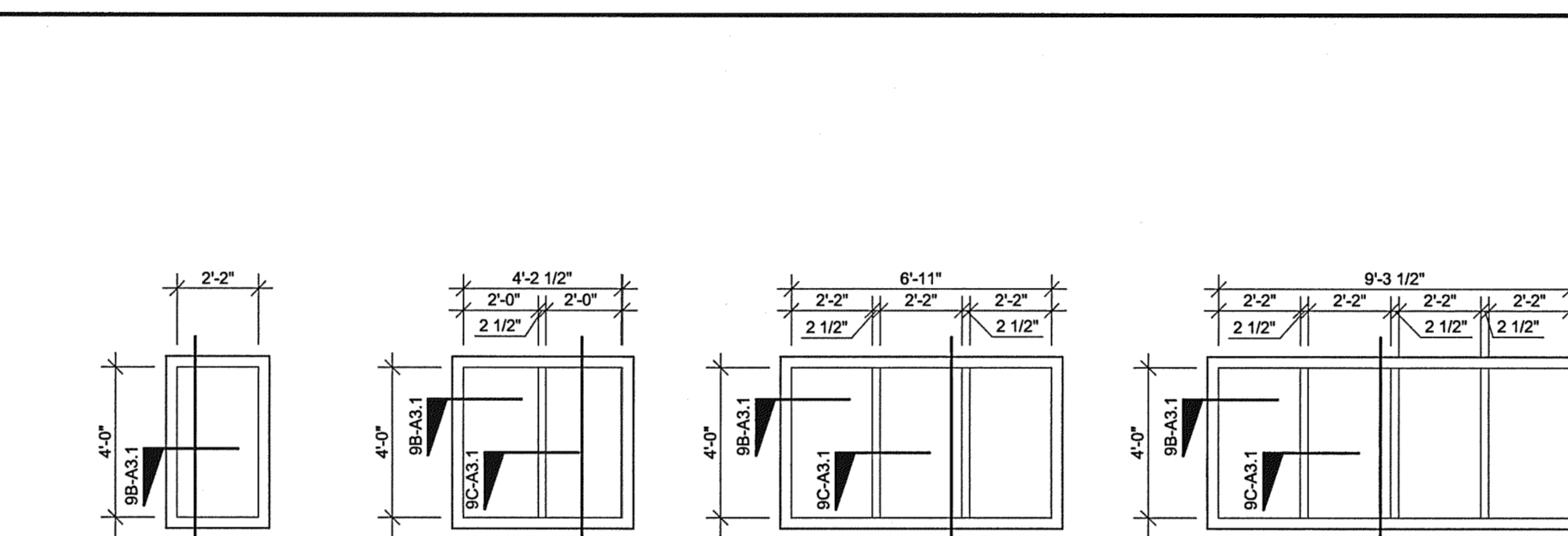
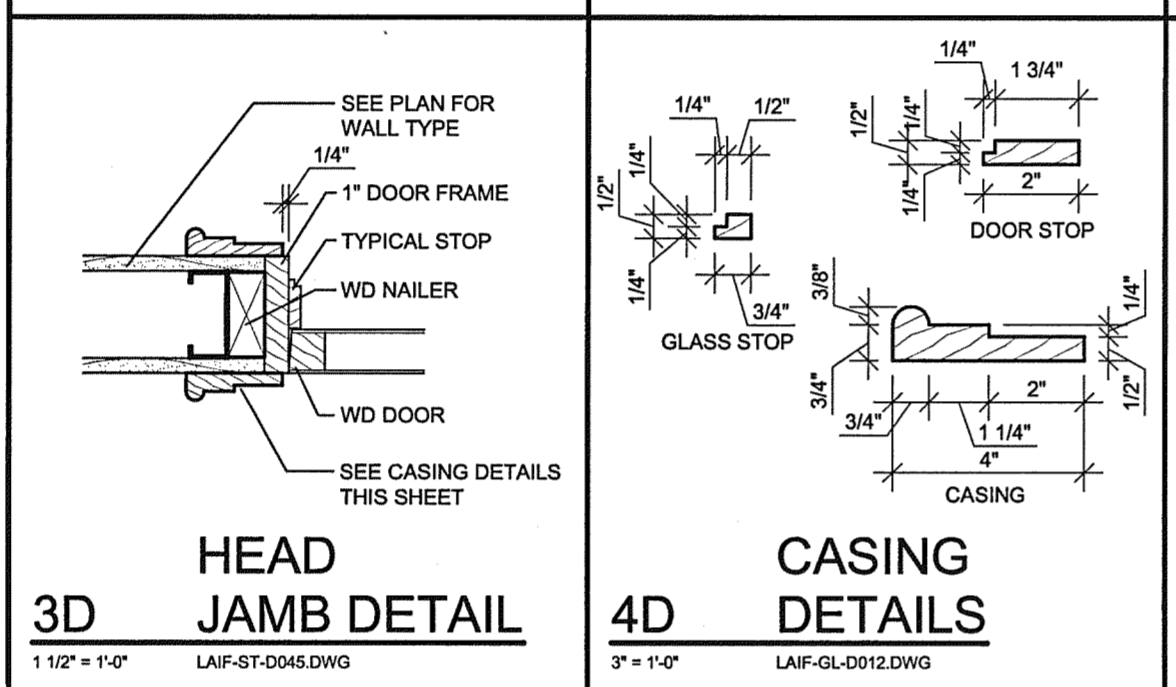
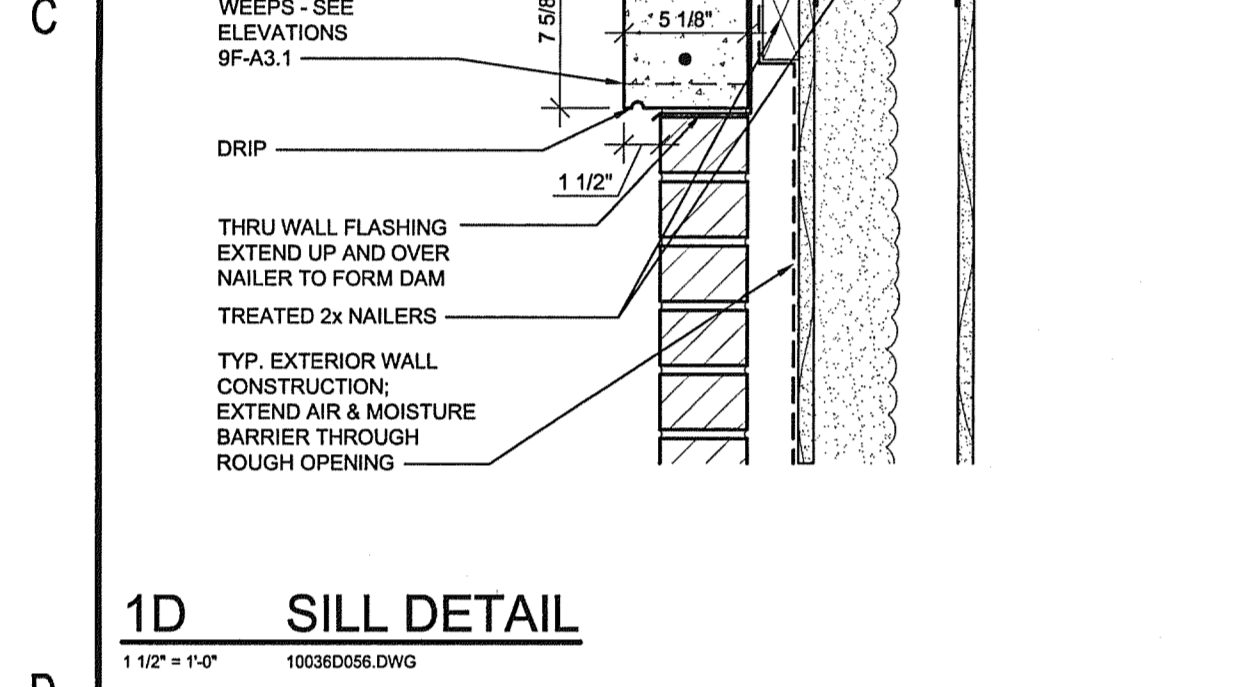


DOOR NO.	SIZE			MAT	TYPE	GLASS	louver	w	h	FRAME				FIRE RTG	HDWY	REMARKS		
	W	H	T							SILL	JAMB	HEAD	LINTEL					
1202A	3'-0"	7'-0"	1 3/4"	AL	1	V3	-	-	-	AL	A	1G-A3.1	1B-A3.1	5E-A6.2	-	-	1	PAIR OF DOORS
1202B	3'-0"	7'-0"	1 3/4"	AL	1	V2	-	-	-	AL	B	3F-A3.1	3E-A3.1	-	-	-	2	PAIR OF DOORS
1200	3'-0"	7'-0"	1 3/4"	WD	2	-	-	-	-	WD	C	-	3D-A3.1	-	-	-	3	*3C-A3.1 & 3D-A3.1
1198	3'-0"	7'-0"	1 3/4"	WD	2	-	-	-	-	WD	C	-	3D-A3.1	-	-	-	3	*3C-A3.1 & 3D-A3.1
1097	3'-0"	7'-0"	1 3/4"	WD	2	-	-	-	-	WD	C	3G-A3.1	3D-A3.1	-	-	-	4	SEE NOTE 1
1038	3'-0"	7'-0"	1 3/4"	WD	2	-	-	-	-	WD	C	-	3D-A3.1	-	-	-	3	*3C-A3.1 & 3D-A3.1
1040	3'-0"	7'-0"	1 3/4"	WD	2	-	-	-	-	WD	C	3G-A3.1	3D-A3.1	3D-A3.1	-	-	6	UNDERCUT DOOR 1" CLEAR
1071	2'-0"	7'-0"	1 3/4"	WD	2	-	-	-	-	WD	C	-	3D-A3.1	3D-A3.1	-	-	7	UNDERCUT DOOR 1" CLEAR
1009	3'-0"	7'-0"	1 3/4"	WD	2	-	-	-	-	WD	C	-	3D-A3.1	3D-A3.1	-	-	8	UNDERCUT DOOR 1" CLEAR
1043	3'-0"	7'-0"	1 3/4"	WD	2	-	-	-	-	WD	C	-	3D-A3.1	3D-A3.1	-	-	9	UNDERCUT DOOR 1" CLEAR
1044	3'-0"	7'-0"	1 3/4"	WD	2	-	-	-	-	WD	C	3G-A3.1	3D-A3.1	3D-A3.1	-	-	10	-
1045	3'-0"	7'-0"	1 3/4"	WD	2	-	-	-	-	WD	C	-	3D-A3.1	3D-A3.1	-	-	3	-
1142	3'-0"	7'-0"	1 3/4"	WD	2	-	-	-	-	WD	C	-	3D-A3.1	-	-	-	3	*3C-A3.1 & 3D-A3.1
1079	3'-0"	7'-0"	1 3/4"	WD	2	-	-	-	-	WD	C	-	3D-A3.1	-	-	-	11	-
1205	3'-0"	7'-0"	1 3/4"	WD	2	-	-	-	-	WD	C	-	3D-A3.1	-	-	-	3	*3C-A3.1 & 3D-A3.1
1203	3'-0"	7'-0"	1 3/4"	WD	2	-	-	-	-	WD	C	-	3D-A3.1	-	-	-	3	*3C-A3.1 & 3D-A3.1
1137A	3'-0"	7'-0"	-	-	-	-	-	-	-	WD	C	-	-	-	-	-	12	SIM. 3D-A3.1, DELETE STOP, CASING OPENING
1137B	3'-0"	7'-0"	1 3/4"	HM	4	-	-	-	-	HM	D	4G-A3.1	4F-A3.1	4E-A3.1	-	-	13	SEE 5G-A3.1 FOR SIGNAGE



5C DOOR SCHEDULE
N.T.S. 05040002.DWG



LAMBERT
ARCHITECTURE + INTERIORS

2400 REYNOLDA ROAD
SUITE 202
WINSTON-SALEM, NC 27106
PHONE 336 777 3657
FAX 336 777 3658
WWW.LAMBERTA.COM

BB&T

BRANCH BANK
701 VILLAGE WALK DRIVE
HOLLY SPRINGS, NC

BB&T PLANON # DEN-0000126

